



Installation Manual

for your ToucanEcoFloors wood flooring

Installation Guide

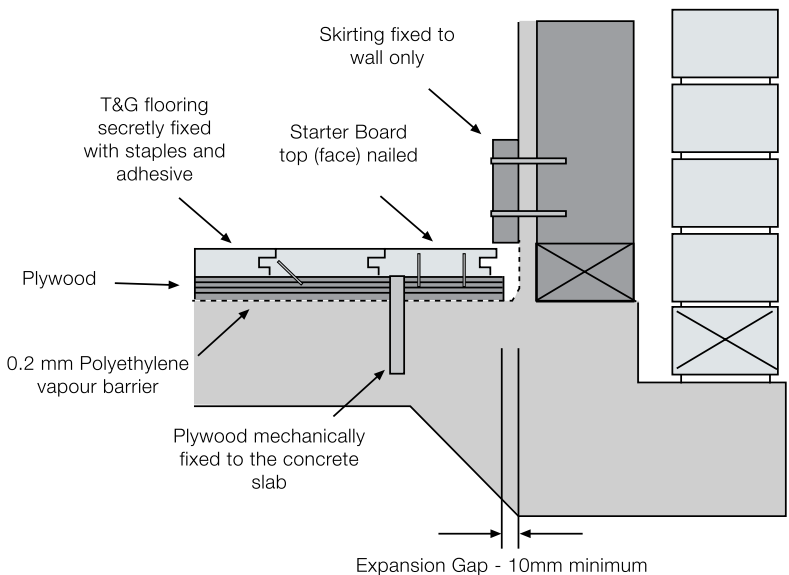
ToucanEcoFloors wood floor products are produced in accordance to the highest quality and precision industry standards. The ultimate appearance and performance in any application, however, are dependent upon the installer and upon close attention to a number of details prior to and during the actual installation process.

In this manual we have incorporated many years of practical experience to describe the simplest methods of achieving successful installations of ToucanEcoFloors hardwood flooring.

Before starting any flooring installation please be sure to read all sections of this manual.

1. Installation of strip flooring over concrete

Fixing to Plywood



Testing concrete for excessive moisture:

Make tests in several areas of each room on both old and new slabs. When tests indicate too much moisture on the slab, do not install hardwood floors. For a moist slab, wait until it dries naturally, or accelerate drying with heat and ventilation then test again.

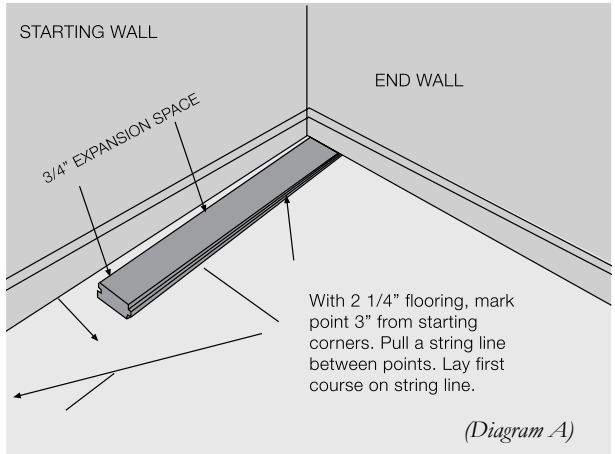
- **The Rubber Mat Test:** Lay a smooth, non-corrugated rubber mat on the slab, place a weight on top to prevent moisture from escaping, and allow the mat to remain 24 hours. If the covered area shows water marks when the mat is removed too much moisture is present. This test is worthless if the slab surface is other than light in color originally.
- **The Polyethylene Film Test:** Tape a 30cm x 30cm of 6 millimeter polyethylene film to the slab, sealing all edges with plastic moisture resistant tape. If, after 24 hours, there is no “clouding” drops of moisture on the underside of the film, the slab can be considered dry enough to install wood floors.

2. Concrete slab preparation

- The slab must be sound and flat. To prepare the slab grind off any high spots, fill low spots, clean up grease, oil and other contaminants, and sweep clean. If the concrete floors is “mealy” and excessively dusty, it may not be of proper strength.

3. Installation of vapor retarder

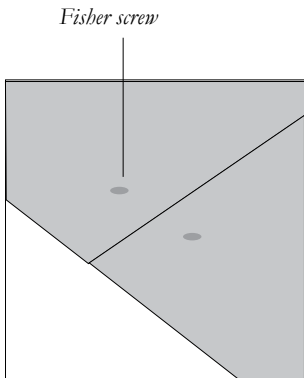
- To be certain normal concrete slab moisture does not reach the finished floor, a proper vapor retarder or underlayment foam sheet must be used on top of the slab.



4. Plywood-on-slab system

- This system uses a minimum of 9mm or thicker sheathing grade exterior glue plywood as the subfloor over the appropriate vapor retarder. Loose lay 9mm plywood panels over the entire floor. Laying plywood on a diagonal to the direction of the finished wood floor will help prevent cracks associated with panel edges.

(Diagram A)



(Diagram B)

Stagger plywood and joints every 1.2 meter by cutting the first sheet of every other run in half. Leave 18mm space at all wall lines and 6mm to 12mm between panels. Cut plywood to fit within 3mm near and around door jambs and other obstructions where finish trim will not be used. Fasten the plywood with a powder-actuated concrete fisser nailer or hammer-driven concrete nails. To be sure to flatten out the plywood, start at the center of the panel and work towards the edges. Use at least nine nails per panel or more to fasten securely.

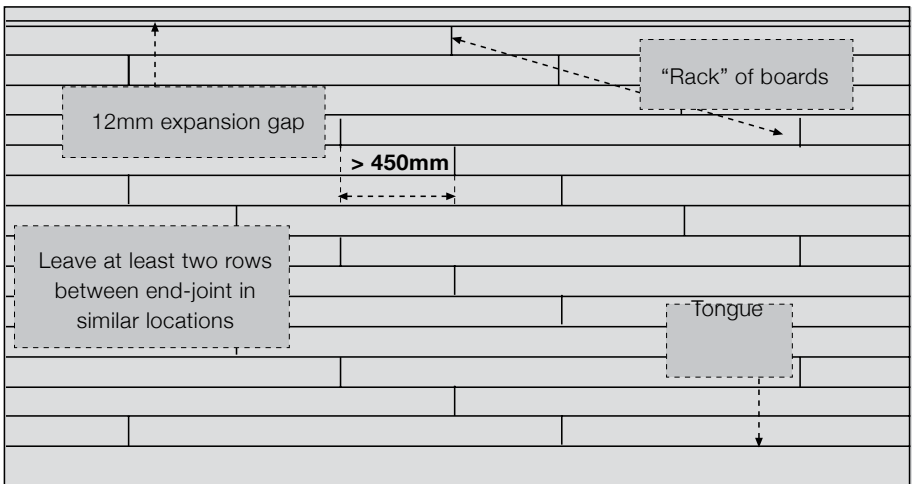
A minimum of 20 nails to be used per 240mm x 120mm plywood sheet, equally spaced and with the outer fisser nails 50mm to 75mm from the sheet edge.

(Diagram B)

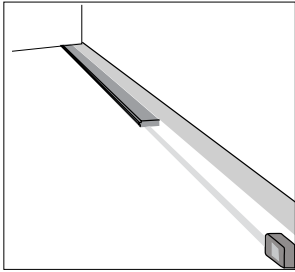
5. Laying and fastening the hardwood flooring

- With plywood or board subfloors, start by re-nailing any loose areas and sweeping the subfloor clean.
- Location and straight alignment of the first course is important. Place a mark 12 mm plus the width of the flooring on the end wall near a corner of starting wall. Place a similar mark at the opposite corner and insert nails into each mark. Pull string line between nails. Nail the first strip with its leading edge on this line.

(Diagram C)

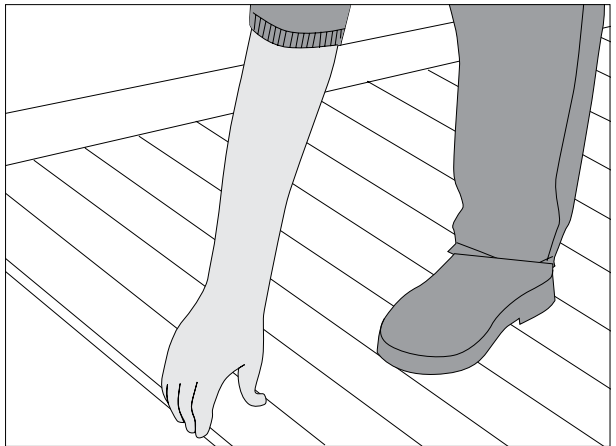


(Diagram C)



(Diagram D)

- The installing of hardwood strip flooring should be perpendicular to the plywood subfloors.
- Begin flooring installation along the longest continuous wall parallel to the flooring direction of most room.
(Diagram D)
- Provide adequate adhesive in a zigzag pattern to achieve approximately 25% glue contact area after laying to minimize possible squeaks.(Diagram D)
- Staple fixing along hardwood floors may be spaced up to 450mm apart. (Diagram E)
- The spacing distance of staple should not exceed 50mm from edge of hardwood floor.
- Ensure pattern for even distribution of long and short pieces and to avoid clusters of short boards.
- Keep wood floor areas free of unused equipment and dirt to prevent surfaces damages.



(Diagram E)

TOUCANECOFLOORS®

www.toucanecofloors.com